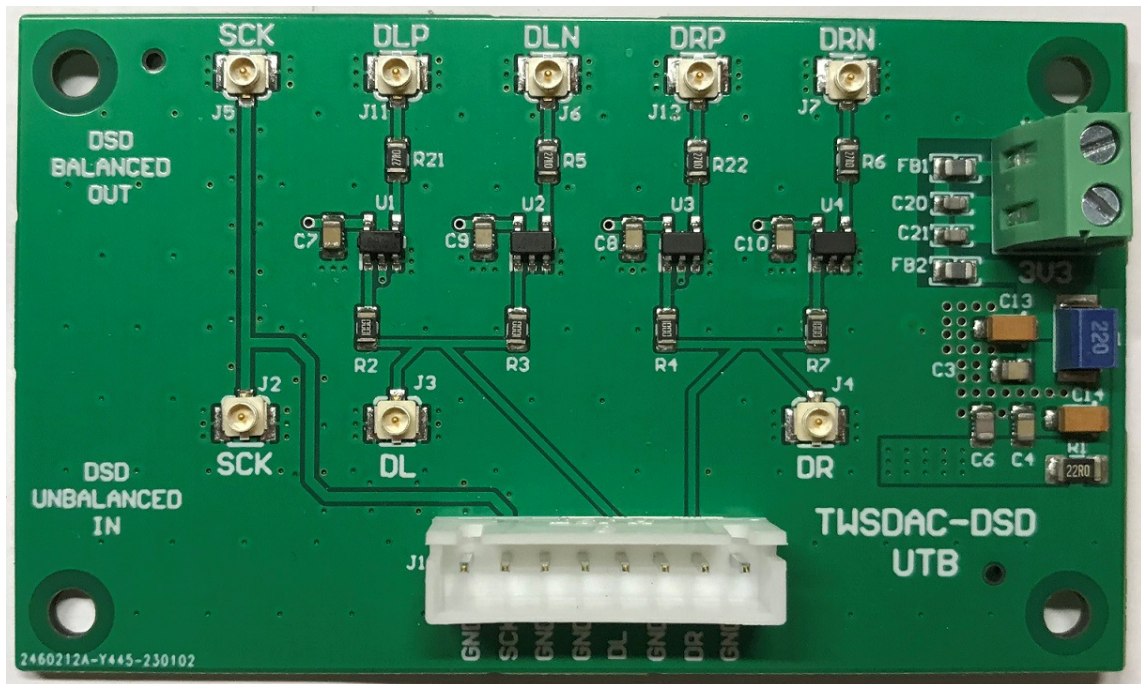


TWSDAC-DSD-UTB Unbalanced to balanced DSD input interface



The board receives DSD single ended signals and convert them to balanced output. The purpose of this board is to interface the TWSDAC-DSD discrete DAC with whatever single ended DSD source.

Features:

Input: DSD (SCK, DATAL, DATAR)

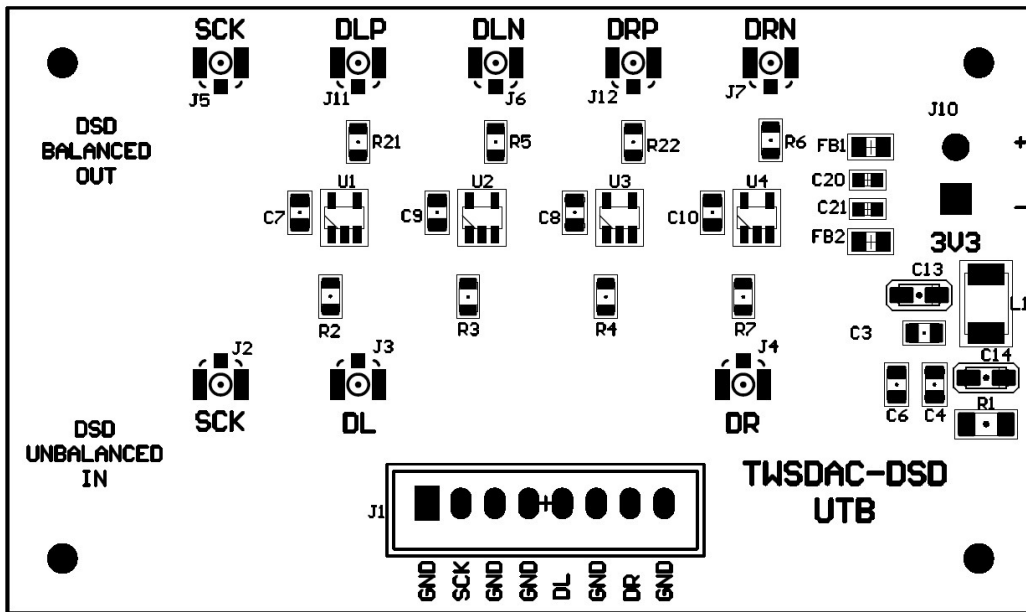
Output: DSD balanced (SCK, DLP, DLN, DRP, DRN)

Power supply: 3V3 DC 30 mA

Board size: 76mm x 45mm

Board options: finished board

PCB layout



Connectors

J10 : 3V3 DC power supply (the upper pin is +3V3, the lower pin is ground).

J1: JST connector DSD input (SCK, DR, DL, GND)

J2: SCK DSD input

J3: DATA Left DSD input

J4: DATA Right DSD input

J5: SCK DSD output (connect to J1-SCK of TWSDAC-DSD)

J11: DLP DSD output (connect to J4-DLP of TWSDAC-DSD)

J6: DLN DSD output (connect to J11-DLN of TWSDAC-DSD)

J12: DRP DSD output (connect to J3-DRP of TWSDAC-DSD)

J7: DRN DSD output (connect to J10-DRN of TWSDAC-DSD)

There is 1 available option for this board:

- finished board (fully assembled and tested)