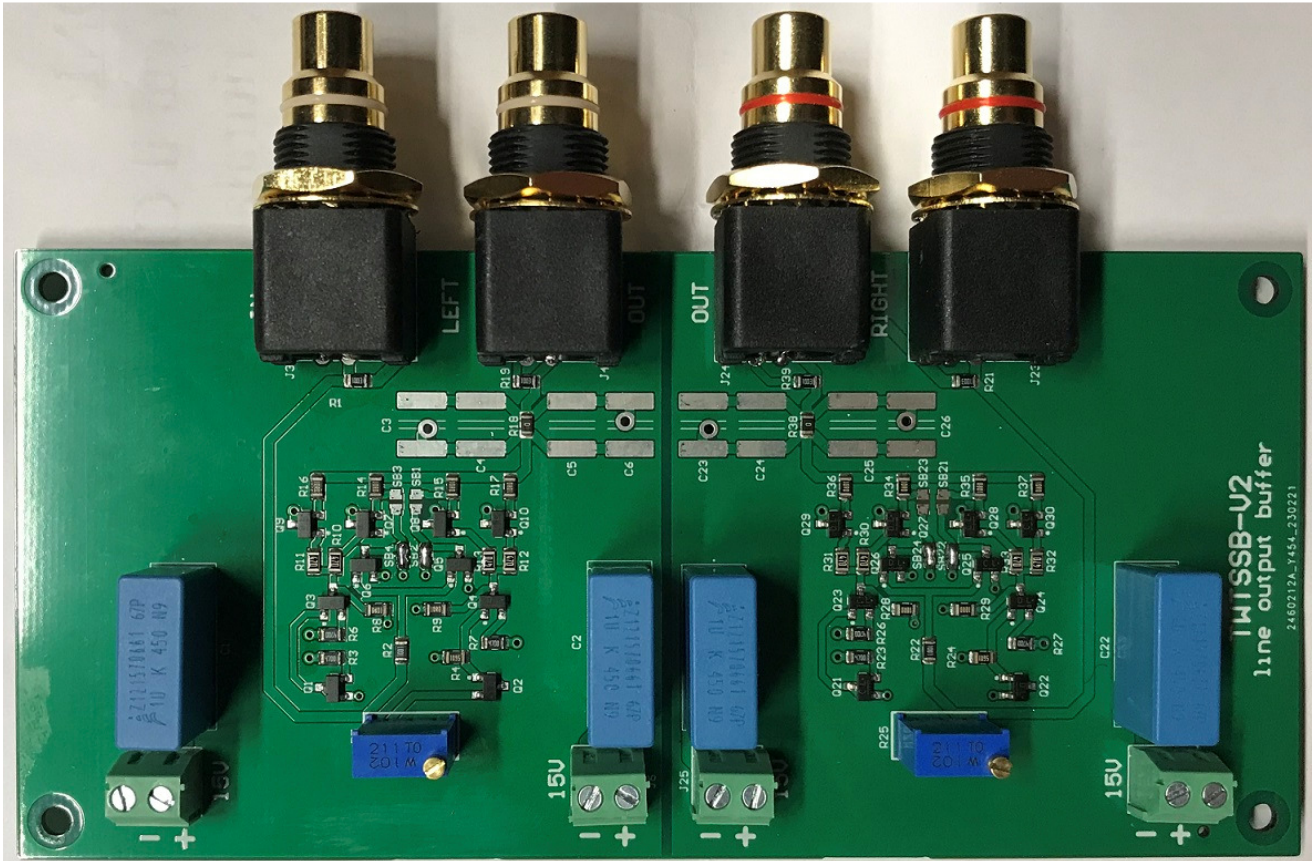


# TWTSSB Solid state line buffer



Solid state line buffer suitable to be used as impedance adapter for voltage output DAC. Designed to be stacked directly onto the TWSDAC-LT discrete DAC.

Features:

**Buffer type:** single ended diamond buffer

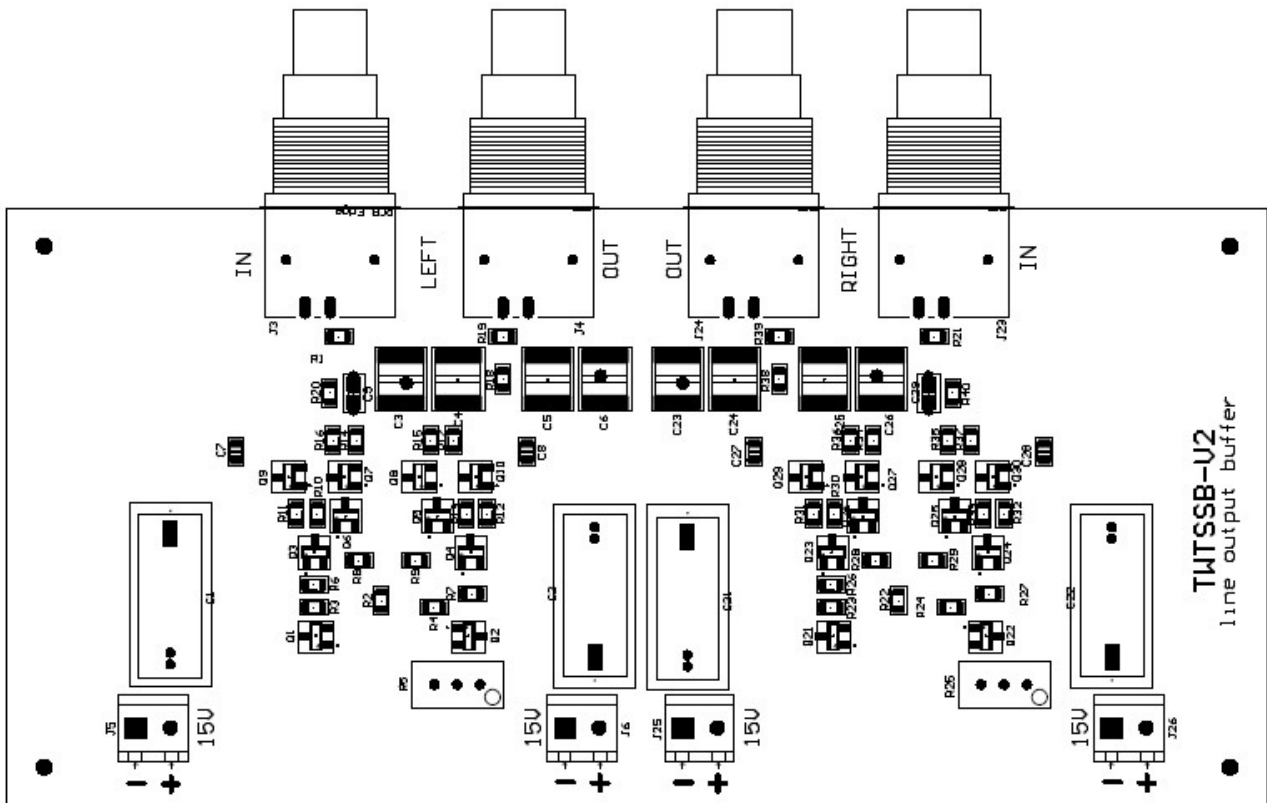
**Output:** as input

**Board size:** 140mm x 66mm (excluding RCA connectors)

**Power supply:** +/- 15VDC/100 mA

**Board options:** finished board only

## PCB layout



## Connectors

**J5, J6, J25, J26:** 15 VDC/25 mA regulated power supply. Be careful with power supply polarities.

**J23:** Input Right channel

**J3:** Input Left channel

**J24:** Output Right channel

**J4:** Output Left channel

There is 1 available option for this board:

- finished boards (fully assembled without RCA connectors)

Suitable RCA connectors can be sourced from Hifi Collective, part number is LCHQRCA.

Two output options are available:

1. DC coupled. As supplied.
2. AC coupled. Remove R18-R38, install C3-C4-C5-C6-C23-C24-C25-C26 (suitable part is the Rubycon 16MU226MD35750 Mouser part 232-16MU226MD35750, or the cheaper CDE 107BPA016M Mouser part 598-107BPA016M)

## **Settings**

Offset settings: turn R5 and R25 to get 0V at Left and Right outputs (connect a DMM to J4 and J24).

## **Caution**

The board has a little DC offset drift. If your preamp/amp is DC coupled, AC coupled option is strongly recommended.